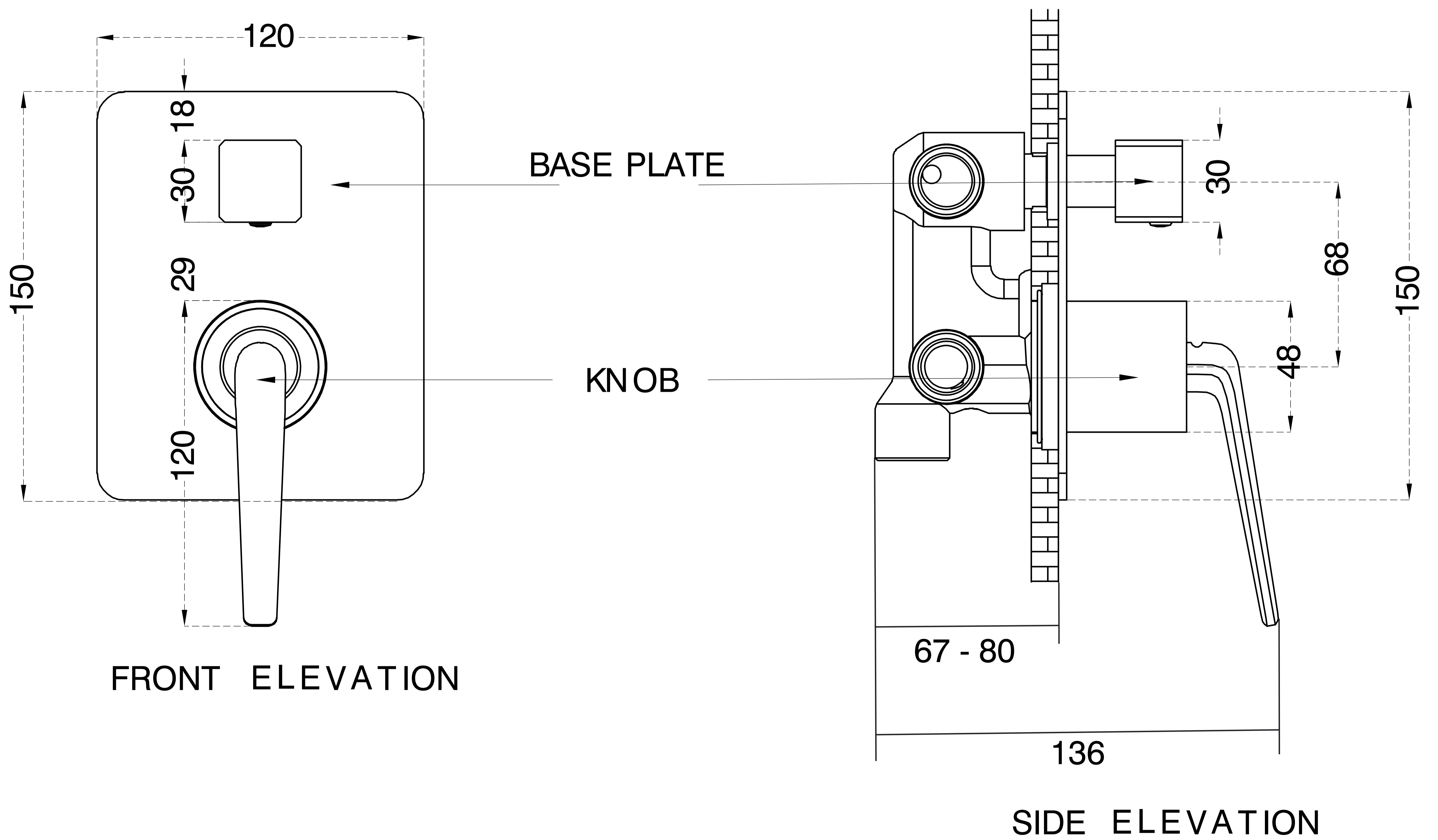




Single-Lever Diverter with 3 Outlets

Product Code : **2088**

Technical Drawing



All dimension are in **mm**