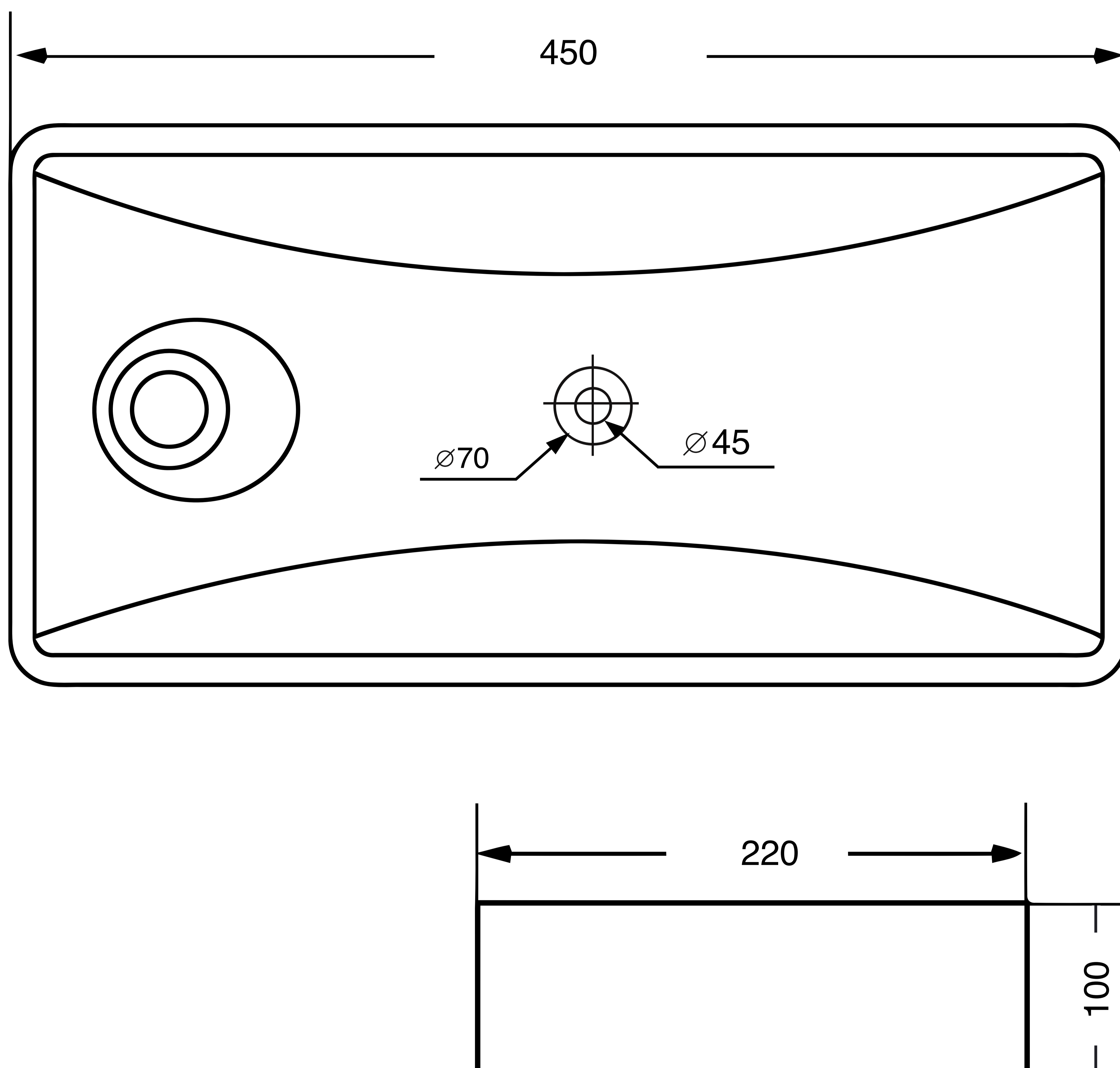




Table Or Wall Mounted Wash Basin

Product Code : 1909

Technical Drawing



All dimension are in **mm**