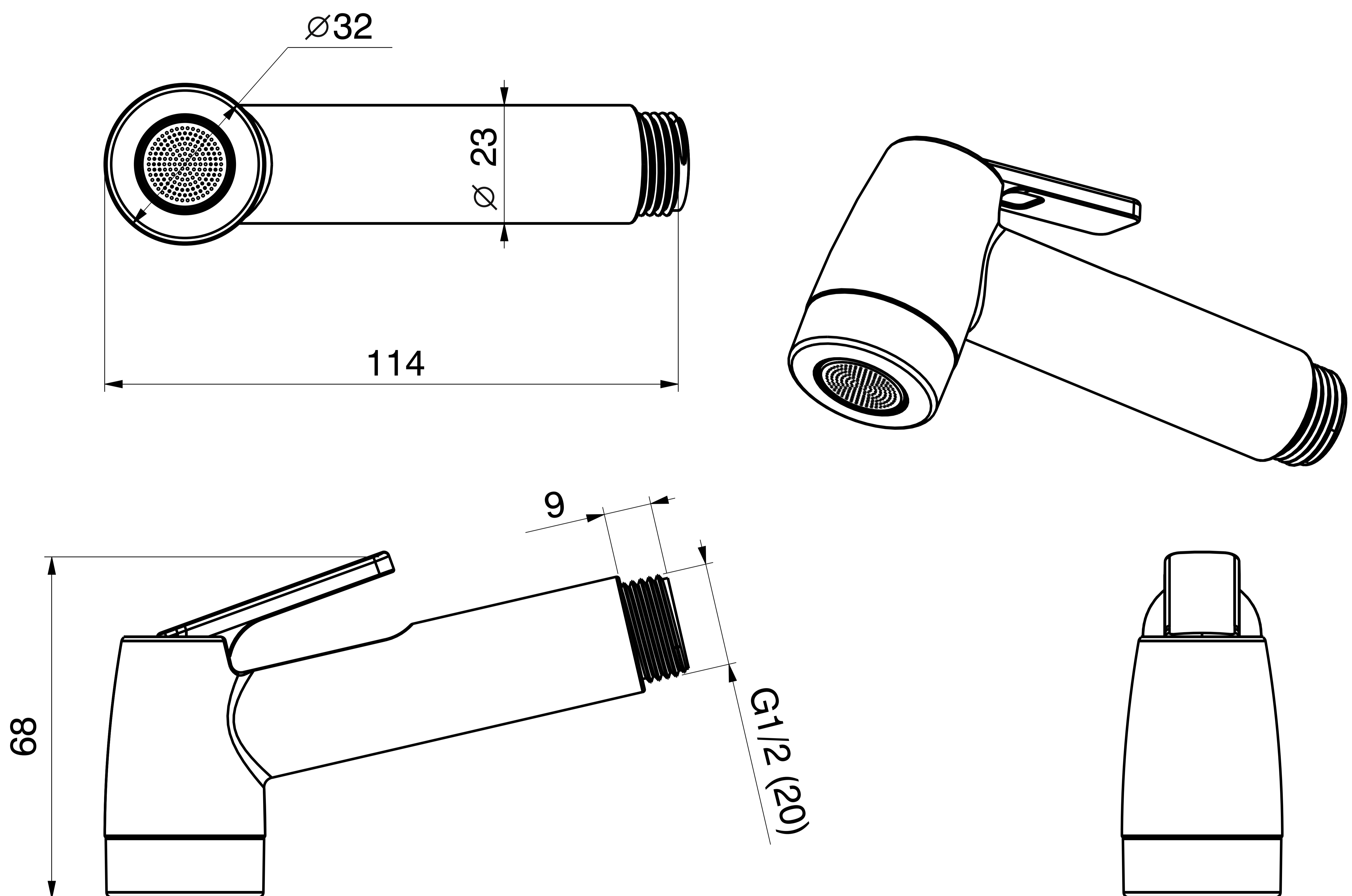


ABS Health Faucet Handle

Product Code : 1186

Technical Drawing



All dimension are in **mm**