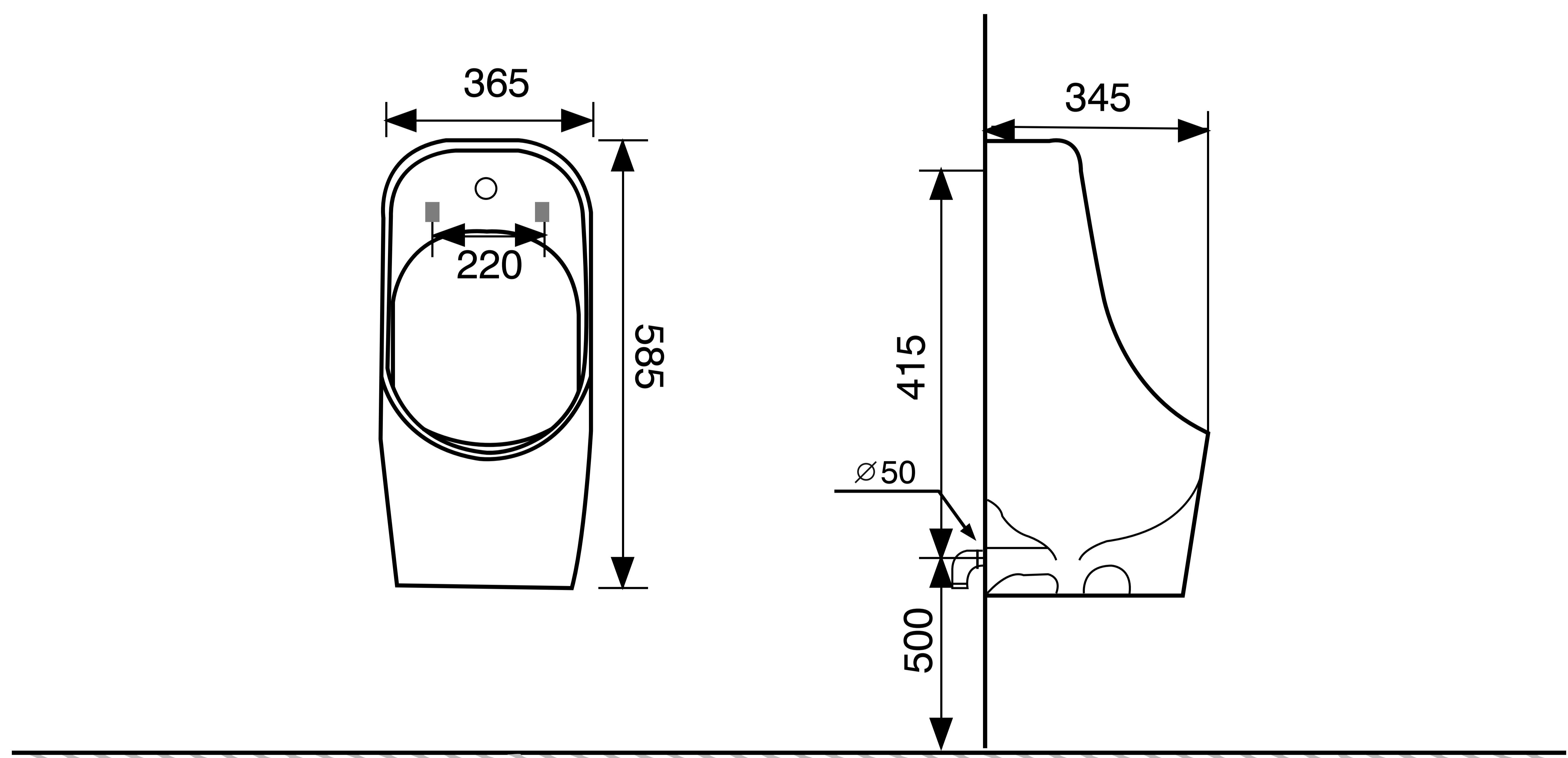




Urinal Back Inlet

Product Code : **1644 W**

Technical Drawing



All dimension are in **mm**